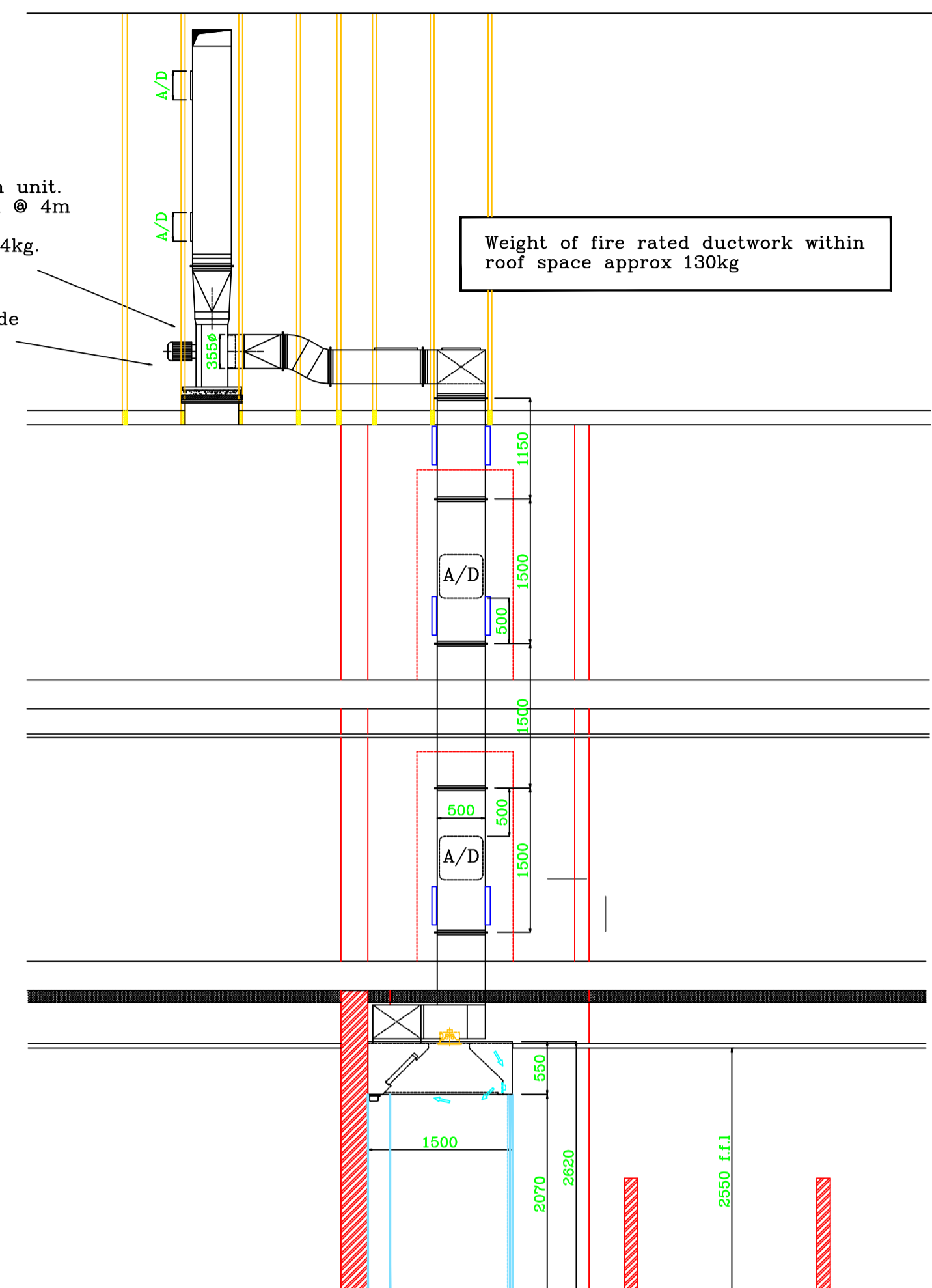
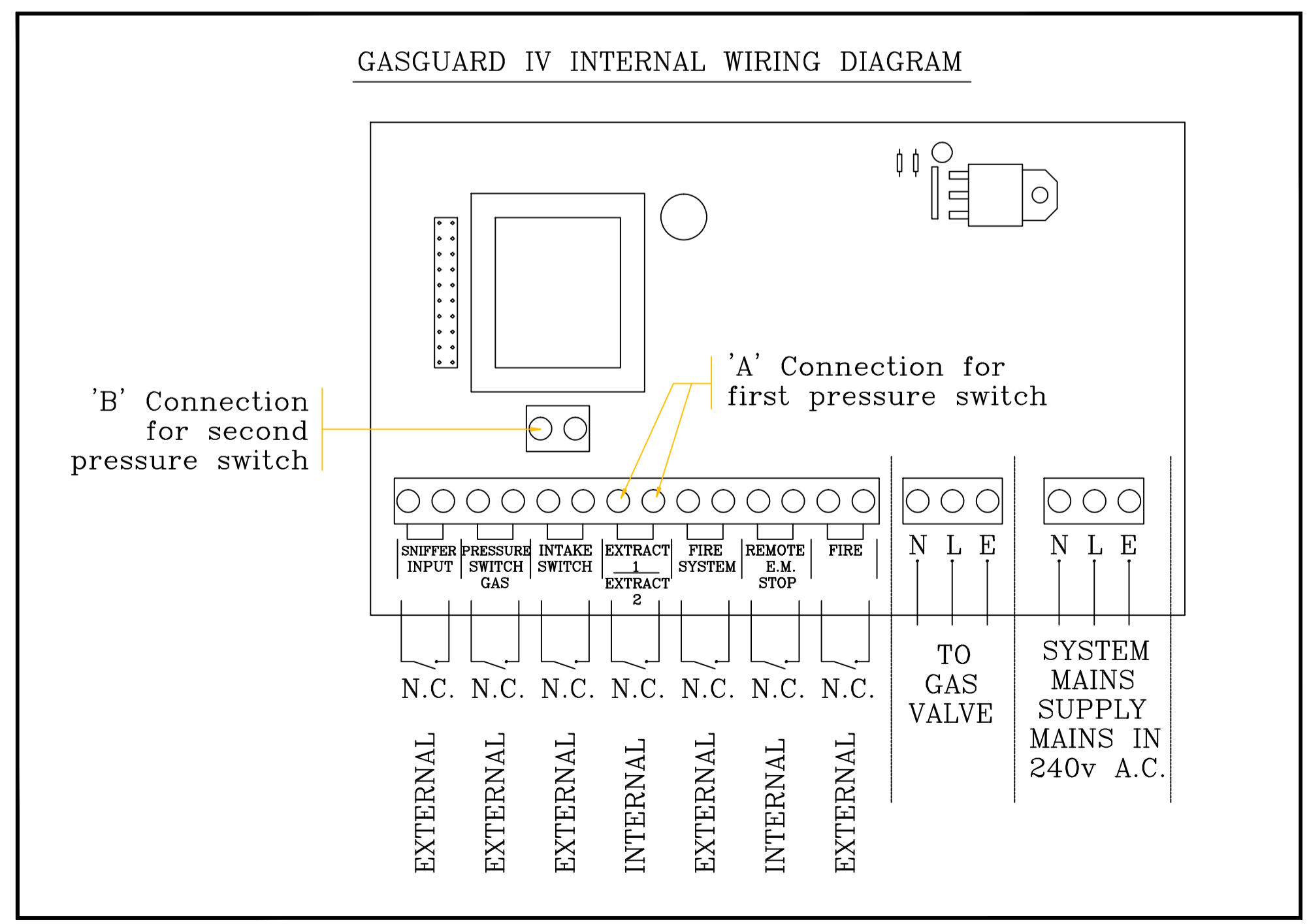
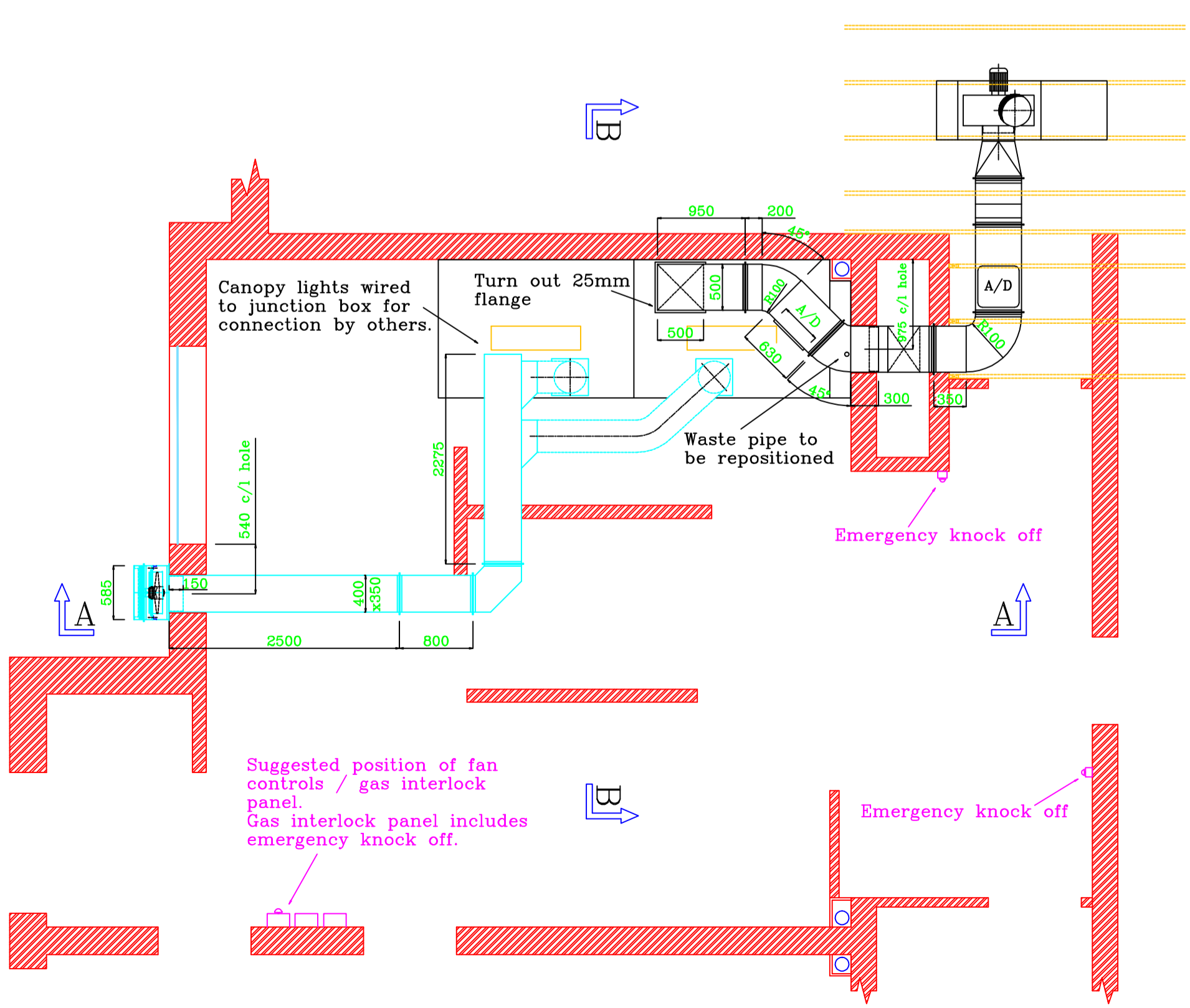
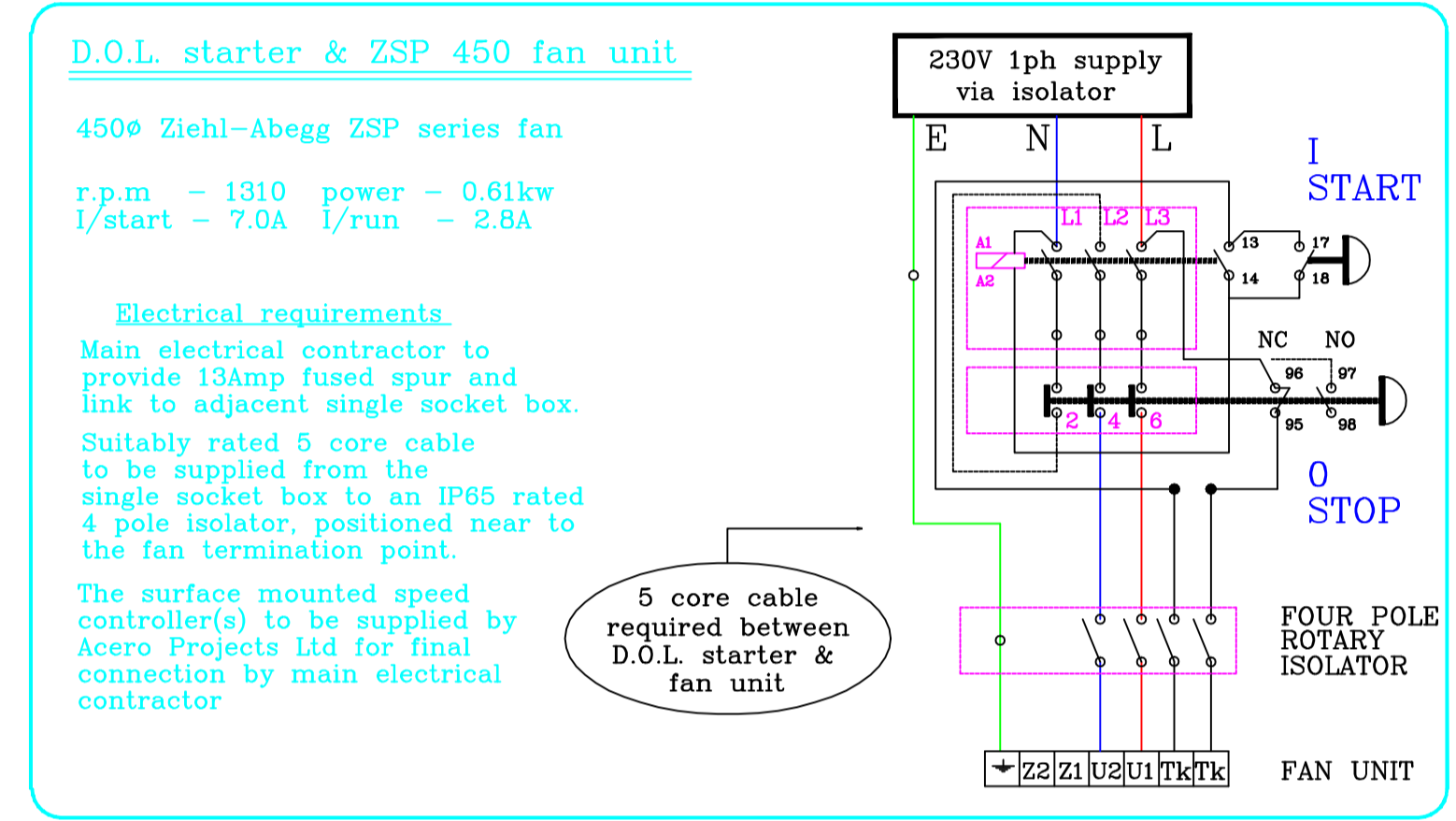
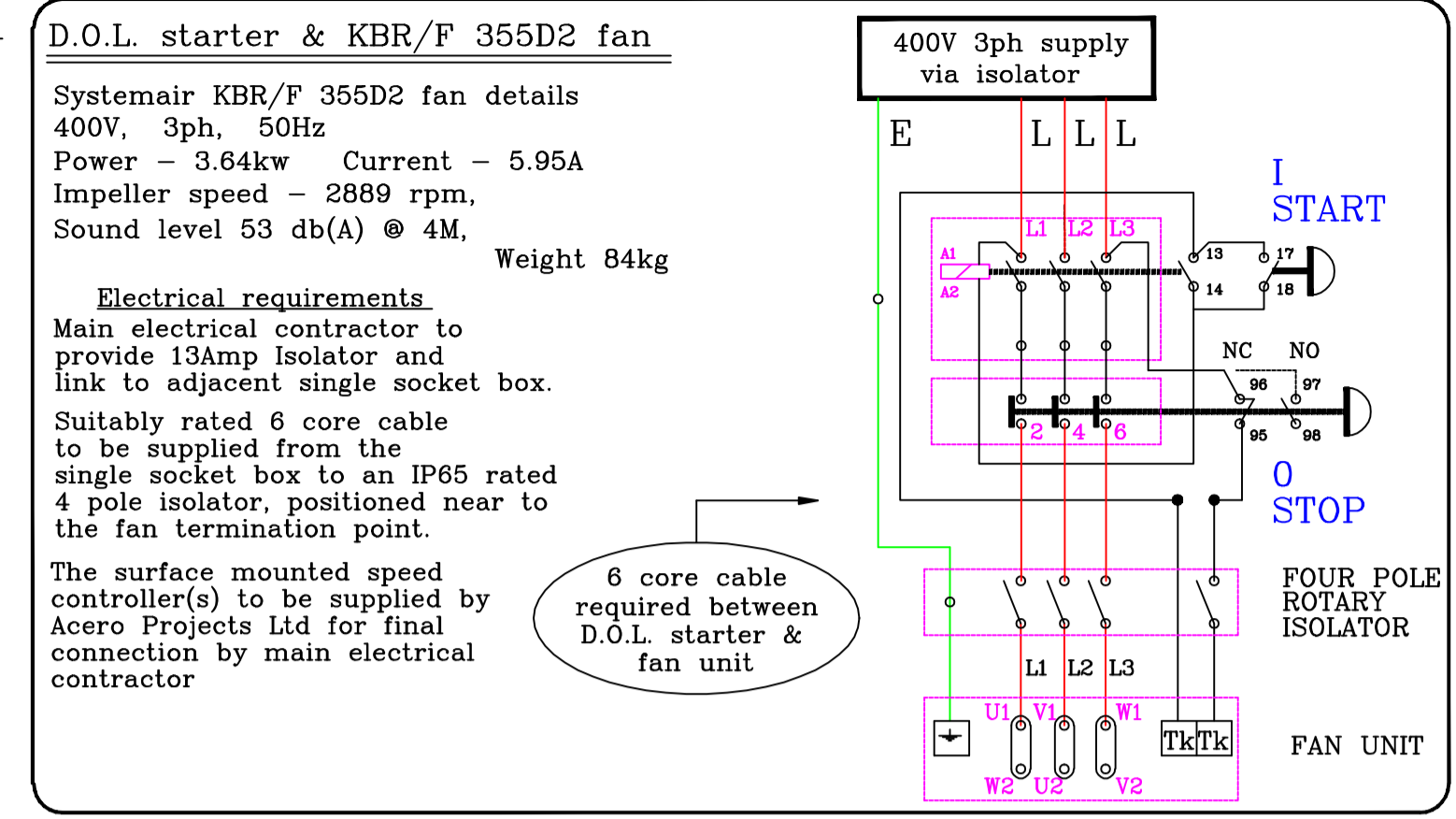


SECTION AA



SECTION BB



Canopy light(s)

Electrical contractor to provide switched supply, connected separately or in conjunction with ancillary or main kitchen lighting circuit as per clients preference. Chase suitably rated 2-core with earth cable to terminate within area of extract canopy.

Lights - stainless steel integral units (c/w 60W ES Round bulbs) mounted within the extract canopy & wired through to external junction box by Acero Projects Ltd.

Final connection to lighting circuitry by others.

It is the responsibility of the client to obtain approval for planning permission, E.H.O. & fire regulations prior to installation of this system.

ACERO Projects Ltd

Old Anglo House
Milton Street
Stourport on Severn
Worcestershire
DY13 9AQ
Tel: 01299 407009
Email: karen@acero-projects.com

Project Title: Residential Care Home	
Drawing Title: Proposed kitchen ventilation	
Drawing No. P 1002	Scale: 1 : 50 (A1)
Drawn by: R.Galloway	Date: 16/12/12
Revision: J (16/05/12) - Plinth to support fan unit added	
Installation Date: TBC	
Material:	